



ISOBEL UK

ELECTRICAL FITTINGS EXPERT SINCE 1985



WWW.ISOBELUK.COM

| Rigid Steel Conduit | RSC |
|---------------------------------------|-----------------------------|
| Material properties | |
| material | Hot Dipped Galvanised Steel |
| Halogen free (acc. to IEC 60754-1) | yes |
| Physical Properties | |
| Specitic Density | 7.80 g/cm ³ |
| Electrical properties | |
| Continuity properties | conductive |
| Fire behaviour | |
| Fire behaviour acc. to EN 50086 | non-flame propagating |
| Thermal properties | |
| Resistance against high temperatures | +400°C |
| Resistance against low temperatures | -45°C |
| Coefficient of thermal expansion | 1.1x10 ⁻⁵ m/m°C |
| Machanical properties | |
| Impact stength, Joule at °C | >20, 4J, -45°C |
| Compression strength | >4000 N |
| Classification | |
| IEC Classification | 61386-21 |

RSC

rigid steel conduit with threaded ends, very heavy gauge; hot dip galvanised, in 3.00m standard length with both ends threaded and a coupler attached to one end.

In accordance with: EN 50086-2-1, IEC 61386-21, BS4568

RSC: protective conduit against very heavy mechanical stresses with high load bearing capacity, for the installation of cables and connecting wires in heavy industry.



| Model No. | Nominal Size of Conduit mm | Wall Thickness mm | Approx Weight c/w Coupler Kgs / mtr |
|-----------|-------------------------------|----------------------|--|
| RSC-20 | 20 | 1.60±0.15 | 0.744 |
| RSC-25 | 25 | 1.60±0.15 | 0.950 |
| RSC-32 | 32 | 1.60±0.15 | 1.240 |
| RSC-40 | 40 | 1.80±0.20 | 1.700 |
| RSC-50 | 50 | 1.80±0.20 | 2.140 |
| RSC-63 | 63 | 2.00±0.20 | 2.600 |



INTRODUCTION

Isobel is a leader in the design manufacture and supply of Stainless Steel Cable Cleats, PPA coated Cable fixing bands, Conduit and Accessories to customers around the world. Research and development is at the core of what we do ensuring that we provide our clients the most innovative products to meet the most up to date international standards. Our Cable Cleats are third party certified in accordance with IEC 6191 to ensure the protection of personnel and the cable support system in the event of a short circuit fault arising. The implementation of our certified ISO 9001 quality system ensures that all customer requirements for each order shall be fulfilled to the highest standards. All material shall be supplied complete with the documentation specified in the customer's requisition such as

- Specification
- Outline/dimensional drawings
- Inspection and test procedure
- Inspection and test plan
- Certificate of Compliance

We believe that it takes a great product and excellent customer service to win our customers trust. Quality is key to our long term success

Certificate GB09/78526

The management system of

ISOBEL UK
8 Walworth Road, London
SE1 6EH, UK

has been assessed and certified as meeting the requirements of

ISO 9001:2008

For the following activities

Manufacture of Electrical Construction Materials.

Further clarifications regarding the scope of this certificate and the applicability of ISO 9001:2008 requirements may be obtained by consulting the organisation

This certificate is valid from 05 May 2015 until 05 May 2018 and remains valid subject to satisfactory surveillance audits.
Re certification audit due before 30 April 2018
Issue 6. Certified since 05 May 2009

Authorised by



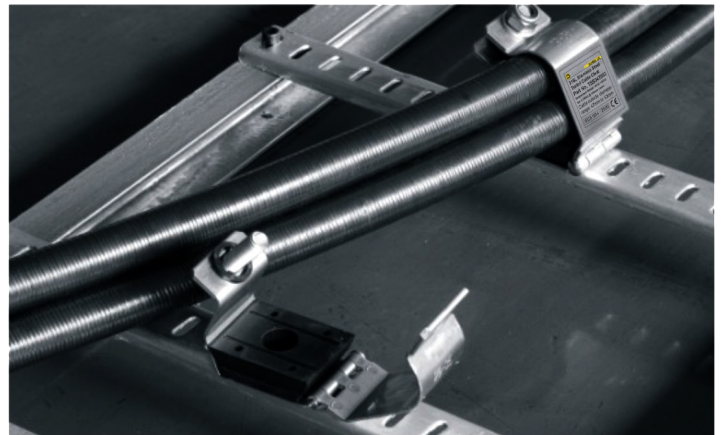
SGS United Kingdom Ltd. Systems & Services Certification
Rosemore Business Park, Ebbw Vale, Gwent, NP23 5JN, UK
t +44 (0)151 350-6666 f +44 (0)151 350-6600 www.sgs.com

SGS 9001-8 01 0614
Page 1 of 1





CABLE CLEATS



INTRODUCTION

ISOBEL cable cleats are designed to support and retain your cables within your cable tray system in every condition. More importantly, they prevent the damage in short circuit conditions. Unfortunately, short circuit happens, and may cause damage to the cables and cable system. Our cable cleats are one of the first lines of defence to help protect the personnel, the cables and the cable system.





HOW TO SELECT YOUR CABLE CLEATS

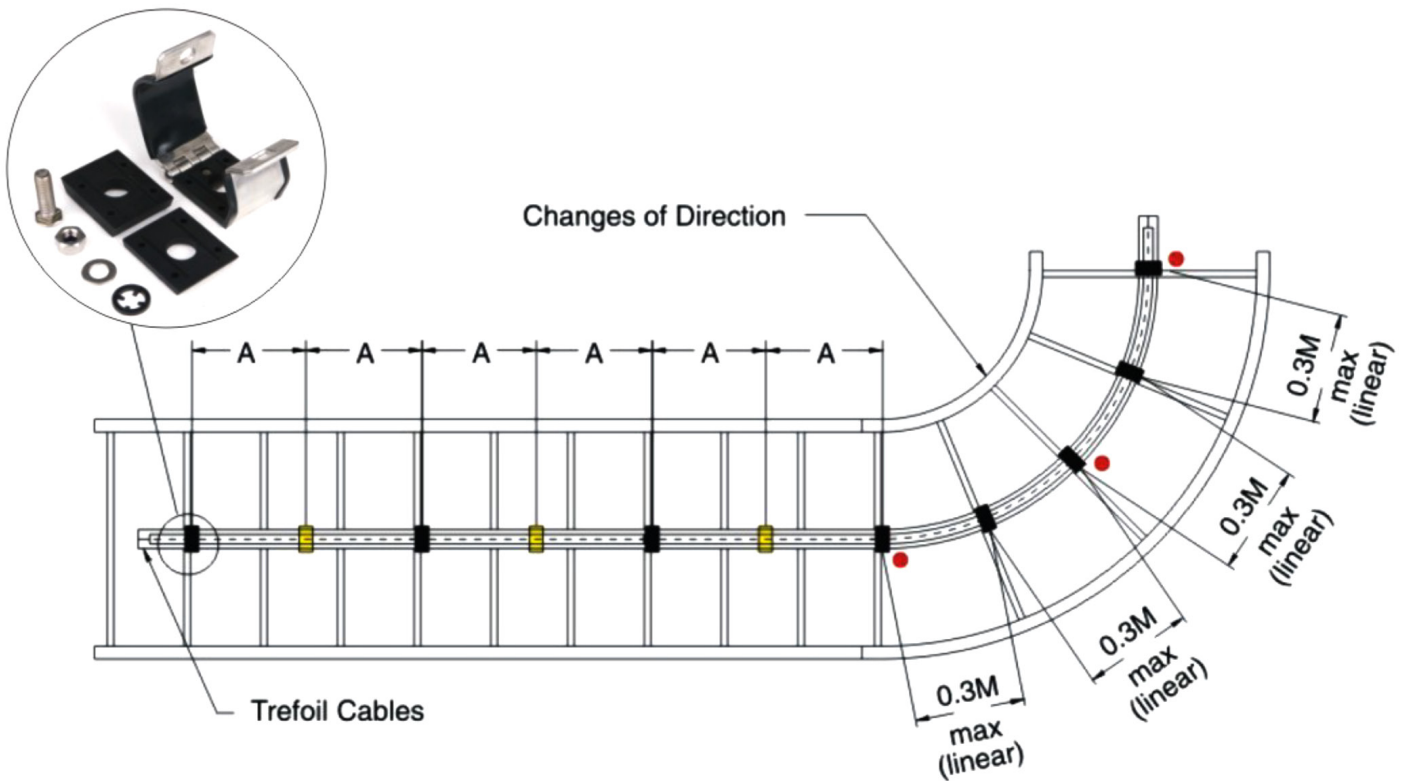
- Know the cables
 - Which type of cable is being used, single or multi-conductor?
 - What is the outer diameter of the cables?
 - What is the cable arrangement, flat or trefoil?
 - If a ground wire is installed in the cleats, know the outer diameter of the ground wire.
- Know the system
 - What is the available short circuit current (RMS or IP Peak)



DETERMINE THE CABLE CLEATS SPACE FOR INSTALLATION

Single Conductor Short Circuit Withstand Table

| Max. Cable Cleat Spacing(A) | | Spacing Between Conductor Centers (mm) | | | | | | | | | | | |
|-----------------------------|-------|--|-----|-----|-----|-----|-----|-----|-----|-----|-----|-----|-----|
| | | 23 | 25 | 27 | 29 | 31 | 33 | 35 | 37 | 39 | 41 | 43 | 45 |
| mm | In. | IP peak(KA) | | | | | | | | | | | |
| 225 | 8.858 | 179 | 187 | 194 | 203 | 209 | 216 | 220 | 229 | 234 | 240 | 246 | 250 |
| 300 | 11.81 | 155 | 163 | 168 | 174 | 181 | 187 | 192 | 198 | 203 | 209 | 214 | 215 |
| 450 | 17.72 | 128 | 133 | 137 | 144 | 148 | 152 | 157 | 161 | 165 | 170 | 174 | 178 |
| 600 | 23.62 | 110 | 115 | 119 | 124 | 128 | 132 | 135 | 139 | 143 | 148 | 150 | 153 |
| 675 | 26.57 | 104 | 108 | 113 | 117 | 121 | 124 | 128 | 132 | 135 | 139 | 143 | 147 |
| 900 | 35.43 | 89 | 93 | 97 | 102 | 105 | 108 | 110 | 115 | 117 | 121 | 124 | 127 |

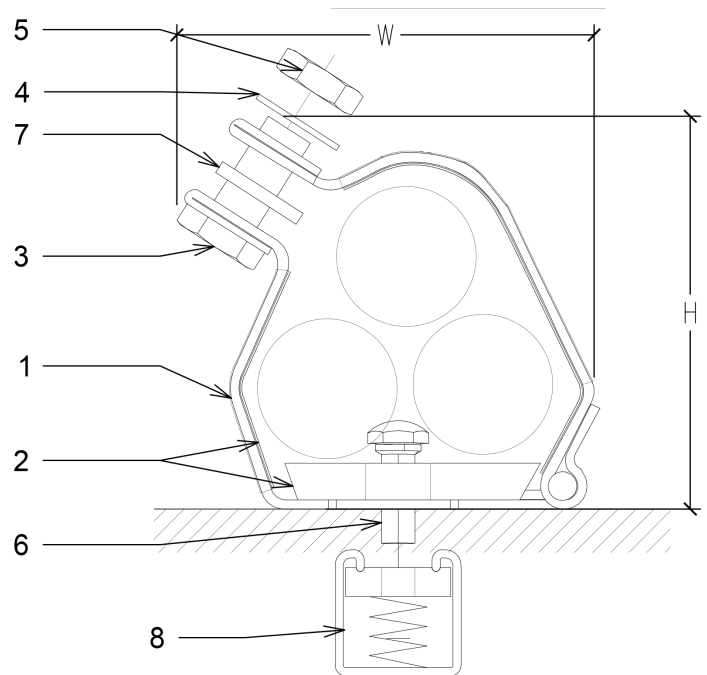
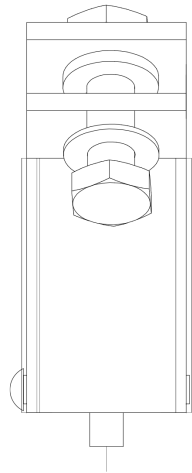
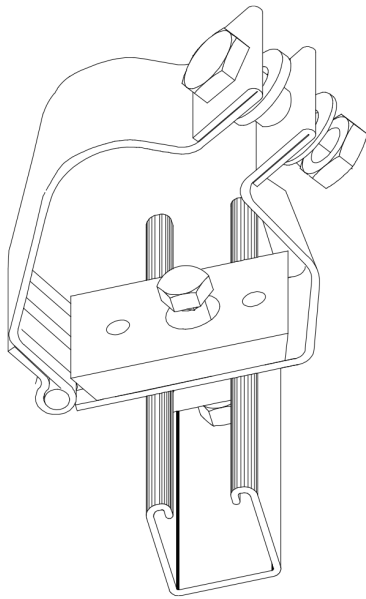


INSTALLATION NOTES

The cleats should be installed properly to secure the cables. Every cleat should be restrained to keep cables bundling. The bend radius should be 8 to 12 times of the cable diameter.

The cleats should always be installed at the beginning, the middle and the end of the bend part. The distance between the cleats on the bend should be no more than 0.3M from centre to centre.



**TREFOIL CLEATS****Performance on the Cable Cleats**

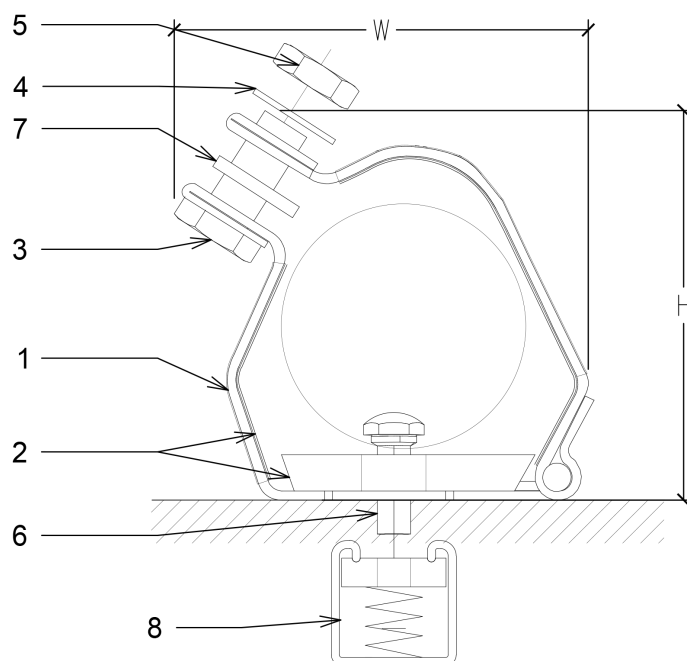
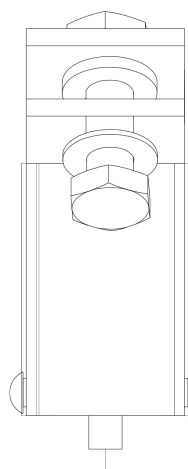
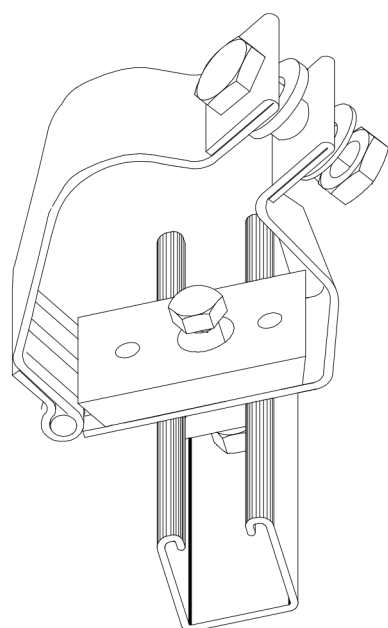
| | |
|---------------------------------------|--------------------------|
| Resistance to Electromechanical Force | 230KA perk 300mm Spacing |
| Lateral Load Test | average 25kg, |
| Axial Load Test | Pass |
| Max and Min Temperature | -40°C~120°C |
| Resistance to Impact | Very Heavy |
| Needle Flame Test | 30 Seconds |

Construction Data of the Cable Cleats

| | |
|------------------|---|
| Cleat Material | Composite |
| Frame | 54mm*2.0mm, marine grade, Non-magnetic 316L |
| Closure Hardware | 316SS M8 or M10 bolt and Nylon Lock Nut |
| Integral Pad | Smoke, Low Fume, Halogen Free |
| Tools Required | Wrench |
| Mounting Bolt | Provided with the Cable Cleat |

**ISOBEL TREFOIL CLEATS**

| Trefoil Cleats | | | | | | | | |
|----------------|-------------|------|-----------|------|------------|------|-----|------|
| Part Number | Cable Range | | | | Dimensions | | | |
| | Min. Dia. | | Max. Dia. | | H | | W | |
| | mm | in. | mm | in. | mm | in. | mm | in. |
| TSS001323 | 13 | 0.51 | 23 | 0.91 | 73 | 2.87 | 68 | 2.68 |
| TSS002125 | 21 | 0.83 | 25 | 0.98 | 75 | 2.95 | 72 | 2.83 |
| TSS002329 | 23 | 0.91 | 29 | 1.14 | 80 | 3.15 | 79 | 3.11 |
| TSS002531 | 25 | 0.98 | 31 | 1.22 | 83 | 3.27 | 82 | 3.23 |
| TSS002733 | 27 | 1.06 | 33 | 1.30 | 84 | 3.31 | 85 | 3.35 |
| TSS002935 | 29 | 1.14 | 35 | 1.38 | 89 | 3.50 | 90 | 3.54 |
| TSS003238 | 32 | 1.26 | 38 | 1.50 | 92 | 3.62 | 96 | 3.78 |
| TSS003541 | 35 | 1.38 | 41 | 1.61 | 98 | 3.86 | 100 | 3.94 |
| TSS003844 | 38 | 1.50 | 44 | 1.73 | 100 | 3.94 | 106 | 4.17 |
| TSS004248 | 42 | 1.65 | 48 | 1.89 | 104 | 4.09 | 113 | 4.45 |
| TSS004551 | 45 | 1.77 | 51 | 2.01 | 107 | 4.21 | 120 | 4.72 |
| TSS004753 | 47 | 1.85 | 53 | 2.09 | 110 | 4.33 | 122 | 4.80 |
| TSS004955 | 49 | 1.93 | 55 | 2.17 | 113 | 4.45 | 125 | 4.92 |
| TSS005157 | 51 | 2.01 | 57 | 2.24 | 115 | 4.53 | 127 | 5.00 |
| TSS005359 | 53 | 2.09 | 59 | 2.32 | 118 | 4.65 | 135 | 5.31 |
| TSS005561 | 55 | 2.17 | 61 | 2.40 | 122 | 4.80 | 138 | 5.43 |
| TSS005763 | 57 | 2.24 | 63 | 2.48 | 125 | 4.92 | 141 | 5.55 |
| TSS005965 | 59 | 2.32 | 65 | 2.56 | 126 | 4.96 | 145 | 5.71 |
| TSS006167 | 61 | 2.40 | 67 | 2.64 | 131 | 5.16 | 148 | 5.83 |
| TSS006369 | 63 | 2.48 | 69 | 2.72 | 134 | 5.28 | 153 | 6.02 |
| TSS006571 | 65 | 2.56 | 71 | 2.80 | 139 | 5.47 | 155 | 6.10 |
| TSS006773 | 67 | 2.64 | 73 | 2.87 | 143 | 5.63 | 156 | 6.14 |
| TSS006975 | 69 | 2.72 | 75 | 2.95 | 146 | 5.75 | 161 | 6.34 |
| TSS007177 | 71 | 2.80 | 77 | 3.03 | 150 | 5.91 | 164 | 6.46 |
| TSS007379 | 73 | 2.87 | 79 | 3.11 | 154 | 6.06 | 166 | 6.54 |
| TSS007581 | 75 | 2.95 | 81 | 3.19 | 157 | 6.18 | 170 | 6.69 |
| TSS007783 | 77 | 3.03 | 83 | 3.27 | 160 | 6.30 | 174 | 6.85 |
| TSS007985 | 79 | 3.11 | 85 | 3.35 | 162 | 6.38 | 178 | 7.01 |
| TSS008187 | 81 | 3.19 | 87 | 3.43 | 168 | 6.61 | 181 | 7.13 |
| TSS008389 | 83 | 3.27 | 89 | 3.50 | 172 | 6.77 | 185 | 7.28 |
| TSS008896 | 88 | 3.46 | 96 | 3.78 | 180 | 7.09 | 195 | 7.68 |
| TSS096103 | 96 | 3.78 | 103 | 4.06 | 189 | 7.44 | 203 | 7.99 |
| TSS103111 | 103 | 4.06 | 111 | 4.37 | 198 | 7.80 | 206 | 8.11 |
| TSS111119 | 111 | 4.37 | 119 | 4.69 | 207 | 8.15 | 215 | 8.46 |
| TSS119128 | 119 | 4.69 | 128 | 5.04 | 216 | 8.50 | 223 | 8.78 |

**SINGLE CLEATS****Performance on the Cable Cleats**

| | |
|---------------------------------------|--------------------------|
| Resistance to Electromechanical Force | 230KA perk 300mm Spacing |
| Lateral Load Test | average 25kg, |
| Axial Load Test | Pass |
| Max and Min Temperature | -40°C~120°C |
| Resistance to Impact | Very Heavy |
| Needle Flame Test | 30 Seconds |

Construction Data of the Cable Cleats

| | |
|------------------|---|
| Cleat Material | Composite |
| Frame | 54mm*2.0mm, marine grade, Non-magnetic 316L |
| Closure Hardware | 316SS M8 or M10 bolt and Nylon Lock Nut |
| Integral Pad | Smoke, Low Fume, Halogen Free |
| Tools Required | Wrench |
| Mounting Bolt | Provided with the Cable Cleat |

**ISOBEL SINGLE CLEATS**

| Single Cleats | | | | | | | | |
|---------------|-------------|------|-----------|------|------------|------|-----|------|
| Part Number | Cable Range | | | | Dimensions | | | |
| | Min. Dia. | | Max. Dia. | | H | | W | |
| | mm | in. | mm | in. | mm | in. | mm | in. |
| SSS001323 | 13 | 0.51 | 23 | 0.91 | 73 | 2.87 | 68 | 2.68 |
| SSS002125 | 21 | 0.83 | 25 | 0.98 | 75 | 2.95 | 72 | 2.83 |
| SSS002329 | 23 | 0.91 | 29 | 1.14 | 80 | 3.15 | 79 | 3.11 |
| SSS002531 | 25 | 0.98 | 31 | 1.22 | 83 | 3.27 | 82 | 3.23 |
| SSS002733 | 27 | 1.06 | 33 | 1.30 | 84 | 3.31 | 85 | 3.35 |
| SSS002935 | 29 | 1.14 | 35 | 1.38 | 89 | 3.50 | 90 | 3.54 |
| SSS003238 | 32 | 1.26 | 38 | 1.50 | 92 | 3.62 | 96 | 3.78 |
| SSS003541 | 35 | 1.38 | 41 | 1.61 | 98 | 3.86 | 100 | 3.94 |
| SSS003844 | 38 | 1.50 | 44 | 1.73 | 100 | 3.94 | 106 | 4.17 |
| SSS004248 | 42 | 1.65 | 48 | 1.89 | 104 | 4.09 | 113 | 4.45 |
| SSS004551 | 45 | 1.77 | 51 | 2.01 | 107 | 4.21 | 120 | 4.72 |
| SSS004753 | 47 | 1.85 | 53 | 2.09 | 110 | 4.33 | 122 | 4.80 |
| SSS004955 | 49 | 1.93 | 55 | 2.17 | 113 | 4.45 | 125 | 4.92 |
| SSS005157 | 51 | 2.01 | 57 | 2.24 | 115 | 4.53 | 127 | 5.00 |
| SSS005359 | 53 | 2.09 | 59 | 2.32 | 118 | 4.65 | 135 | 5.31 |
| SSS005561 | 55 | 2.17 | 61 | 2.40 | 122 | 4.80 | 138 | 5.43 |
| SSS005763 | 57 | 2.24 | 63 | 2.48 | 125 | 4.92 | 141 | 5.55 |
| SSS005965 | 59 | 2.32 | 65 | 2.56 | 126 | 4.96 | 145 | 5.71 |
| SSS006167 | 61 | 2.40 | 67 | 2.64 | 131 | 5.16 | 148 | 5.83 |
| SSS006369 | 63 | 2.48 | 69 | 2.72 | 134 | 5.28 | 153 | 6.02 |
| SSS006571 | 65 | 2.56 | 71 | 2.80 | 139 | 5.47 | 155 | 6.10 |
| SSS006773 | 67 | 2.64 | 73 | 2.87 | 143 | 5.63 | 156 | 6.14 |
| SSS006975 | 69 | 2.72 | 75 | 2.95 | 146 | 5.75 | 161 | 6.34 |
| SSS007177 | 71 | 2.80 | 77 | 3.03 | 150 | 5.91 | 164 | 6.46 |
| SSS007379 | 73 | 2.87 | 79 | 3.11 | 154 | 6.06 | 166 | 6.54 |
| SSS007581 | 75 | 2.95 | 81 | 3.19 | 157 | 6.18 | 170 | 6.69 |
| SSS007783 | 77 | 3.03 | 83 | 3.27 | 160 | 6.30 | 174 | 6.85 |
| SSS007985 | 79 | 3.11 | 85 | 3.35 | 162 | 6.38 | 178 | 7.01 |
| SSS008187 | 81 | 3.19 | 87 | 3.43 | 168 | 6.61 | 181 | 7.13 |
| SSS008389 | 83 | 3.27 | 89 | 3.50 | 172 | 6.77 | 185 | 7.28 |
| SSS008896 | 88 | 3.46 | 96 | 3.78 | 180 | 7.09 | 195 | 7.68 |
| SSS096103 | 96 | 3.78 | 103 | 4.06 | 189 | 7.44 | 203 | 7.99 |
| SSS103111 | 103 | 4.06 | 111 | 4.37 | 198 | 7.80 | 206 | 8.11 |
| SSS111119 | 111 | 4.37 | 119 | 4.69 | 207 | 8.15 | 215 | 8.46 |
| | 119 | 4.69 | 128 | 5.04 | 216 | 8.50 | 223 | 8.78 |



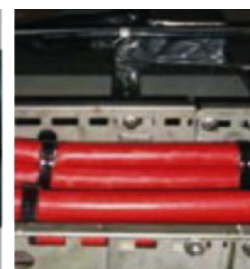
STAINLESS STEEL TYPE PPA COATED

Brand Name: ISOBEL

Product Description: Cable Fixing Band and Clips

The lower cost alternative to cable cleats.

- Low profile finish
- 316 grade stainless steel (0.4mm band thickness)
- PPA571 coating (0.4mm coating thickness)
- Zero halogen, low smoke & fumes
- DNV, UL type approved materials
- Logistical and handling benefits (easier to move around site in bulk)
- Standard width 5/8" (15.9mm) – other widths available
- Standard colour : Black – other colours available upon request
- Captive sealing clip
- Fully rounded edges
- Round profile on end of band
- Improved health & safety during installation
- Compared to cable cleats
- Significantly lower cost
- Significant weight reduction
- Reduced inventory – one size fits all
- No accessories required, like fixing, liners, packers, studding, etc
- Accommodates variations in cable diameter
- Reduced environmental impact during manufacture/transportation/decommissioning
- 50% labour saving versus cleats
- Easy application using hand tool
- Independently tested for shock and short circuit (Peak current 130kA @0.3M according to IEC61914)





| Item No. | Width | | Length | | Thickness | | Max. Bundle Dia. | | Single/Double Wrap | Pack Qty. Piece |
|-------------|-------|-------|--------|-------|-----------|-------|------------------|------|--------------------|-----------------|
| | mm | inch | mm | inch | mm | inch | mm | inch | | |
| PPAB - 400 | 15.9 | 0.626 | 400 | 15.75 | 1.2 | 0.047 | 40 | 1.57 | Double | 100 |
| PPAB - 450 | | | 450 | 17.72 | | | 48 | 1.88 | Double | |
| PPAB - 500 | | | 500 | 19.69 | | | 56 | 2.19 | Double | |
| PPAB - 550 | | | 550 | 21.65 | | | 64 | 2.51 | Double | |
| PPAB - 600 | | | 600 | 23.62 | | | 72 | 2.82 | Double | |
| PPAB - 650 | | | 650 | 25.59 | | | 80 | 3.13 | Double | |
| PPAB - 700 | | | 700 | 27.56 | | | 88 | 3.45 | Double | |
| PPAB - 750 | | | 750 | 29.53 | | | 96 | 3.76 | Double | |
| PPAB - 800 | | | 800 | 31.50 | | | 104 | 4.07 | Double | |
| PPAB - 850 | | | 850 | 33.46 | | | 111 | 4.39 | Double | |
| PPAB - 900 | | | 900 | 35.43 | | | 119 | 4.70 | Double | |
| PPAB - 950 | | | 950 | 37.40 | | | 127 | 5.02 | Double | |
| PPAB - 1000 | | | 1000 | 39.37 | | | 135 | 5.33 | Double | |
| PPAB - 1050 | | | 1050 | 41.34 | | | 143 | 5.64 | Double | |
| PPAB - 1100 | | | 1100 | 43.31 | | | 151 | 5.96 | Double | |
| PPAB - 1150 | | | 1150 | 45.28 | | | 159 | 6.27 | Double | |
| PPAB - 1200 | 1200 | 47.24 | 167 | 6.58 | Double | | | | | |

Any Length Is Available, Please Contact With Our Service Person.



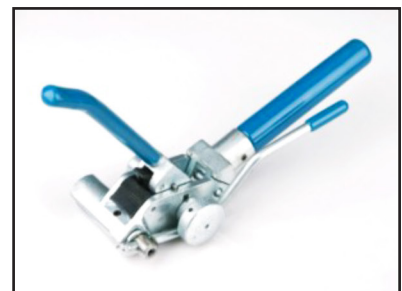
PPA Coated Bands



Thicker L Type Buckle



LQD Clamping Tool



LQD-S Clamping Tool



ISOBEL UK

ISOBEL UK, ELECTRICAL FITTINGS

8 Walworth Road
London
SE1 6EH
UK

E-MAIL: info@isobeluk.com
TEL: 028 29558449
FAX: 028 29558448
WWW.ISOBELUK.COM